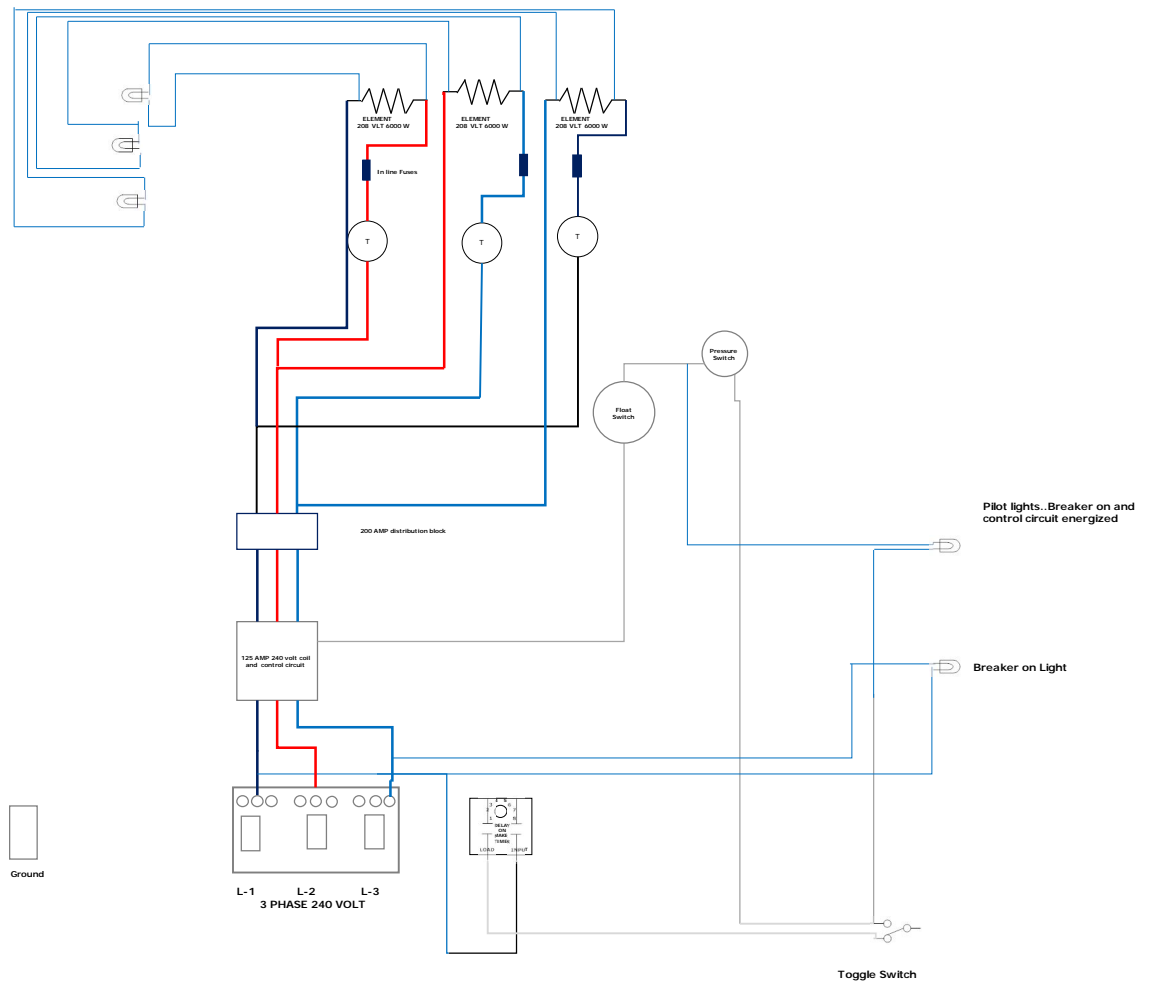


Elements in operation lights



NOTE: CR 18 KW 208 VOLT 3 PHASE
 USE ONE 60 AMP BREAKER AND 90°C COPPER WIRE W/GROUND

WIRE # 16AWG WHITE
 WIRE # 16AWG BLACK
 WIRE # 10AWG BLACK
 WIRE # 8AWG BLACK