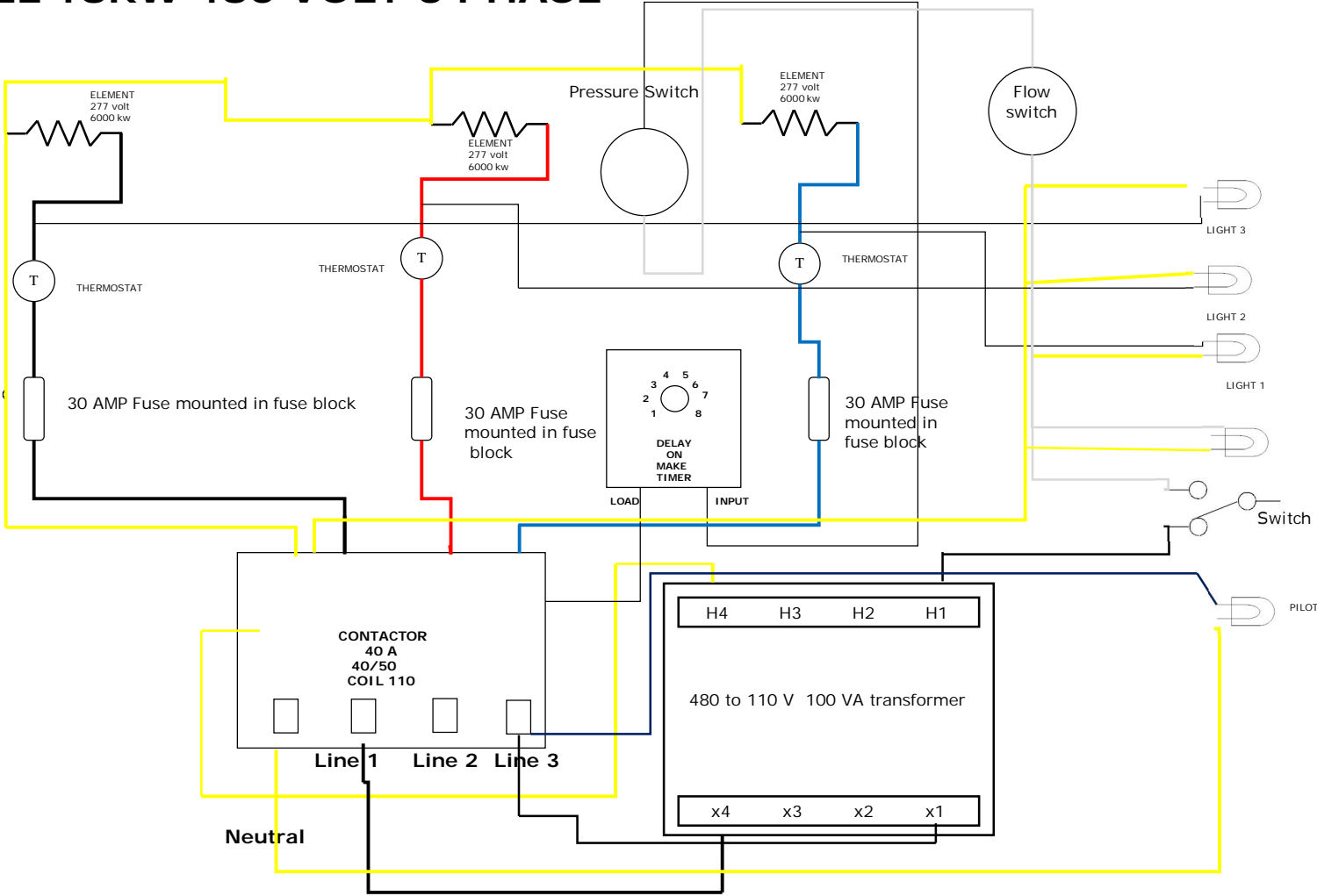


MODEL 18KW 480 VOLT 3 PHASE



**MODEL CF 18 KW 480 VOLT
 USE 30 AMP BREAKER AND
 90°C COPPER WIRE W/GROUND**