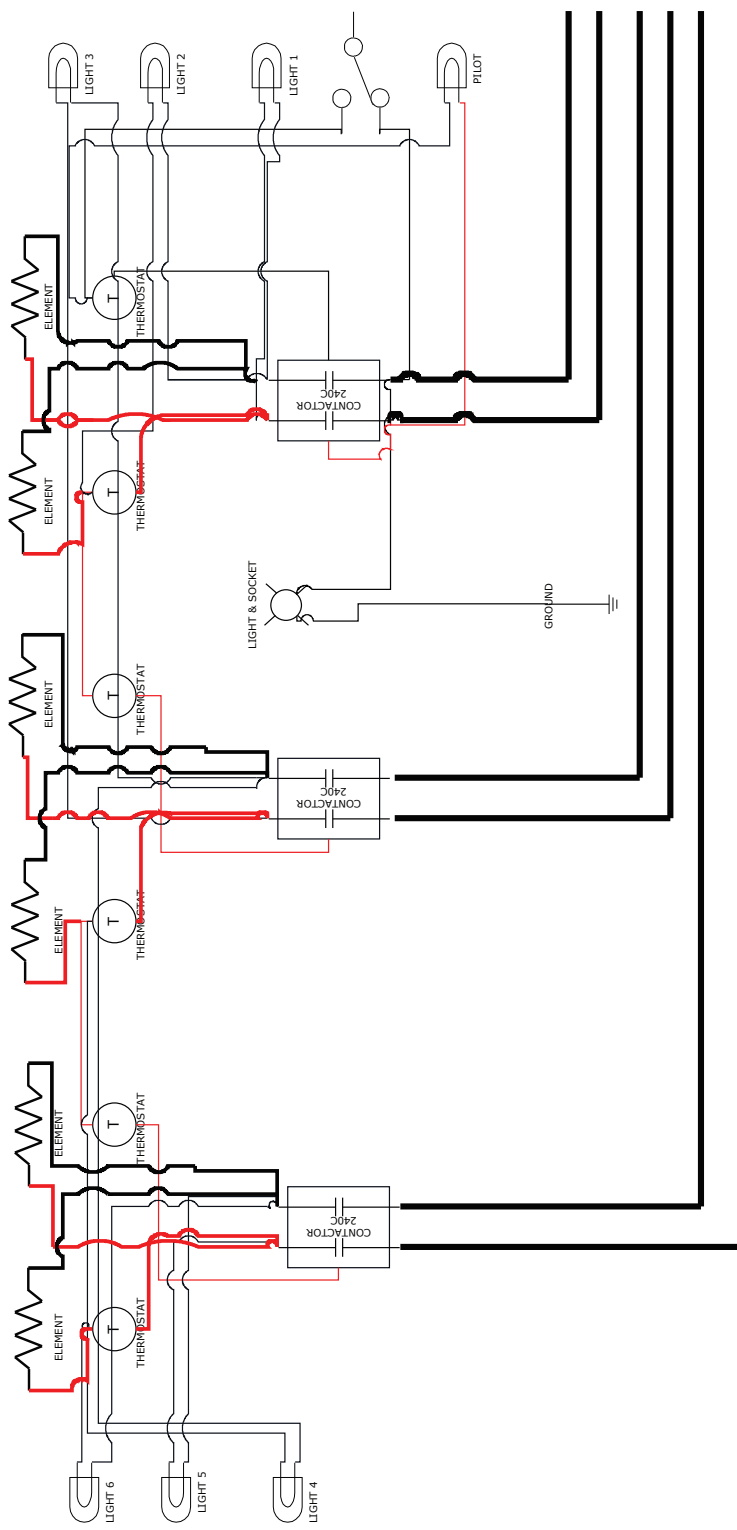


Tankless, Inc.

Quality, Energy-Saving, Tankless Hot Water Heaters

H-36-6

ELECTRI DIAGRAM H-36-6 KW 240 VOLT



**MODEL H-36-6
USE THREE 50 AMP BREAKER AND
90°C COPPER WIRE W/GROUND**