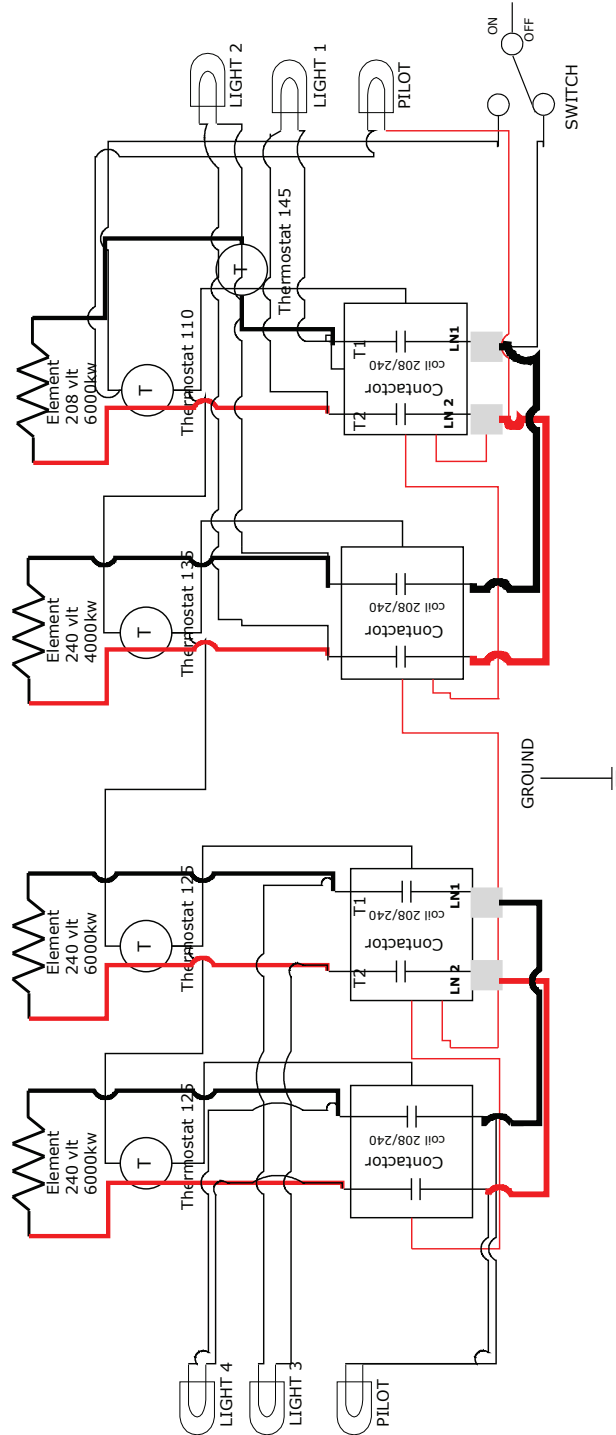




H-24-4

ELECTRIC DIAGRAM H-24-4



- WIRE # 16AWG
- WIRE # 10AWG
- WIRE # 8AWG
- SINGLE LUG-AL DUAL RATED 6T

**NOTE: MODEL H-24-4
USE TWO 50 AMP BREAKER AND 90°C COPPER WIRE W/GROUND**