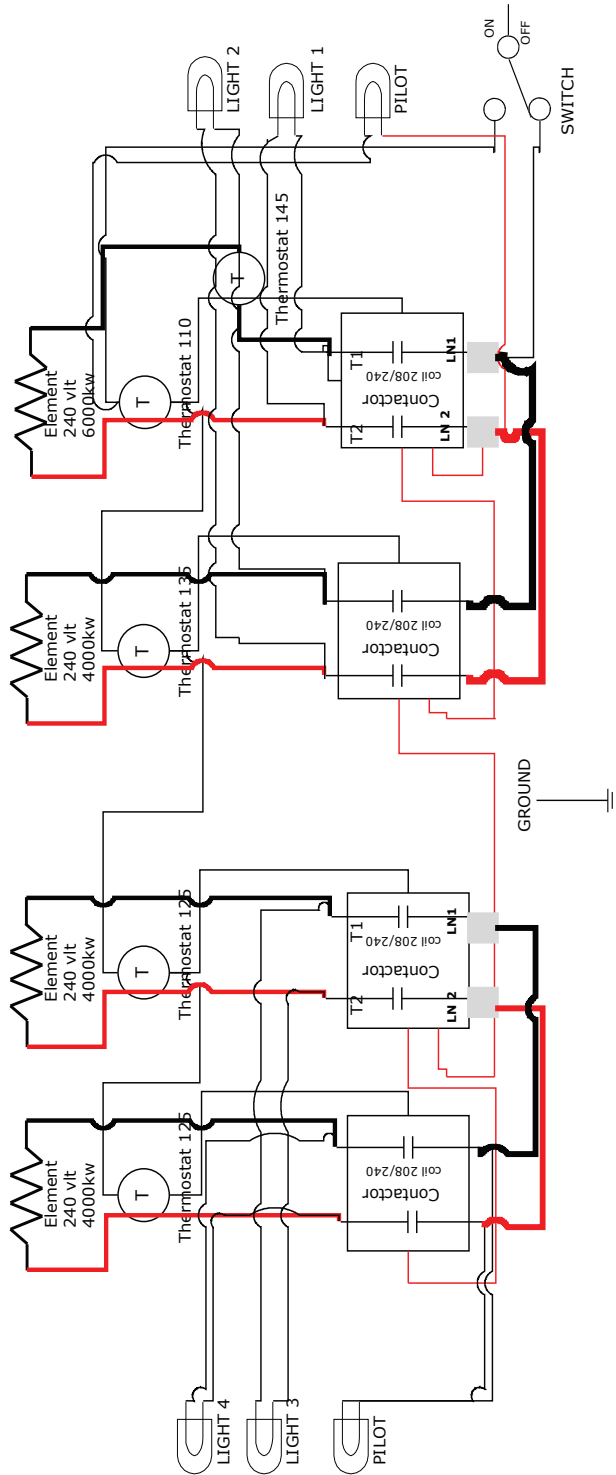




H-18-4

ELECTRIC DIAGRAM H-18-4



- WIRE # 16AWG
- WIRE # 10AWG
- WIRE # 8AWG

SINGLE LUG-AL DUAL-RATED 6T

**NOTE: MODEL H-18-4
USE TWO 40 AMP BREAKER AND 90°C COPPER WIRE W/GROUND**