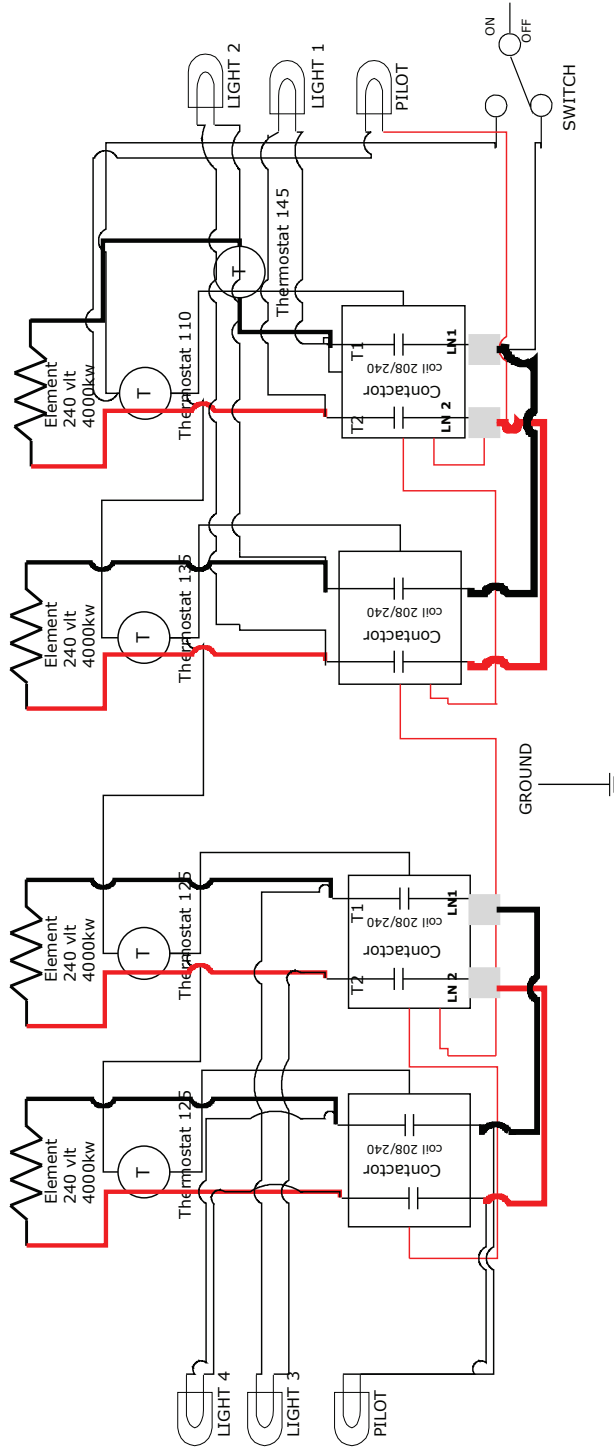




**H-16-4**

**ELECTRIC DIAGRAM H-16-4**



**NOTE: MODEL H-16-4  
USE TWO 40 AMP BREAKER AND 90°C COPPER WIRE W/GROUND**