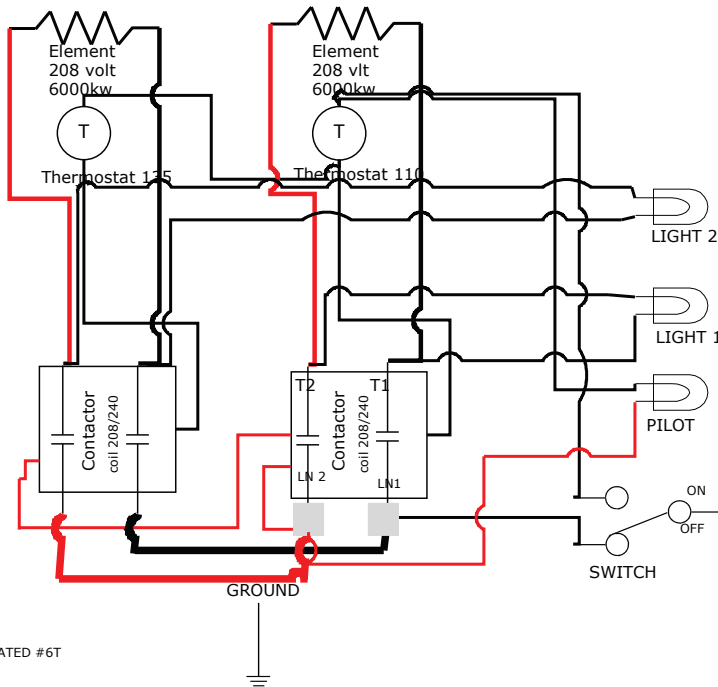




H-16-2

ELECTRIC DIAGRAM H-16-2



SINGLE LUG-AL DUAL RATED #6T

WIRE # 16AWG

WIRE # 10AWG

WIRE # 8AWG

**NOTE: MODEL H-16-2
USE 70 AMP BREAKER AND 90°C COPPER WIRE W/GROUND**