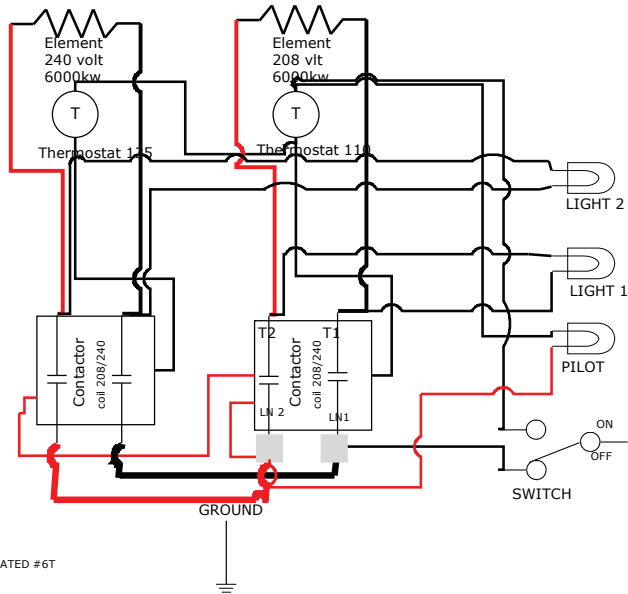




H-14-2

ELECTRIC DIAGRAM H-14-2



SINGLE LUG-AL DUAL RATED #6T

WIRE # 16AWG

WIRE # 10AWG

WIRE # 8AWG

NOTE: MODEL H-14-2

USE 60 AMP BREAKER AND 90°C COPPER WIRE W/GROUND