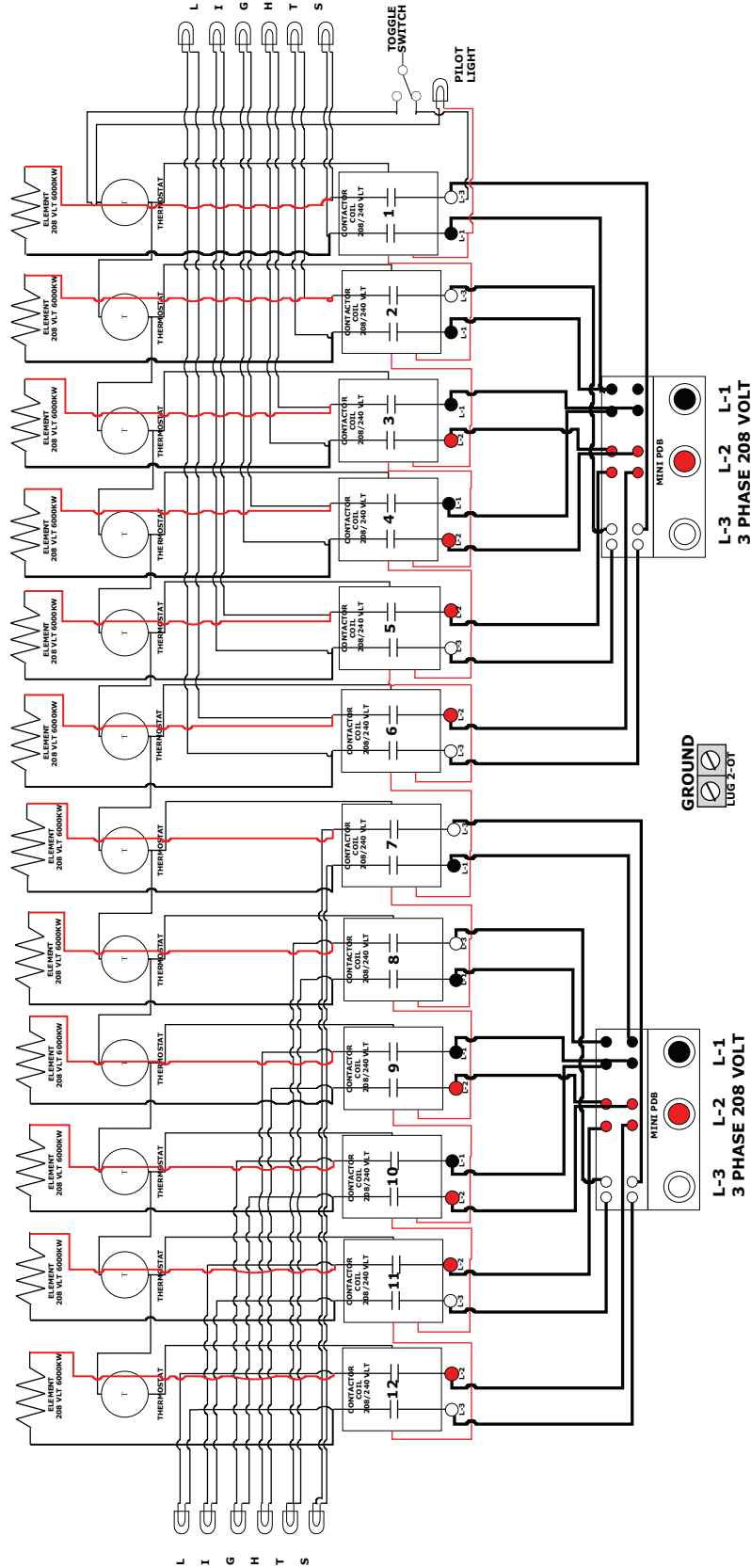




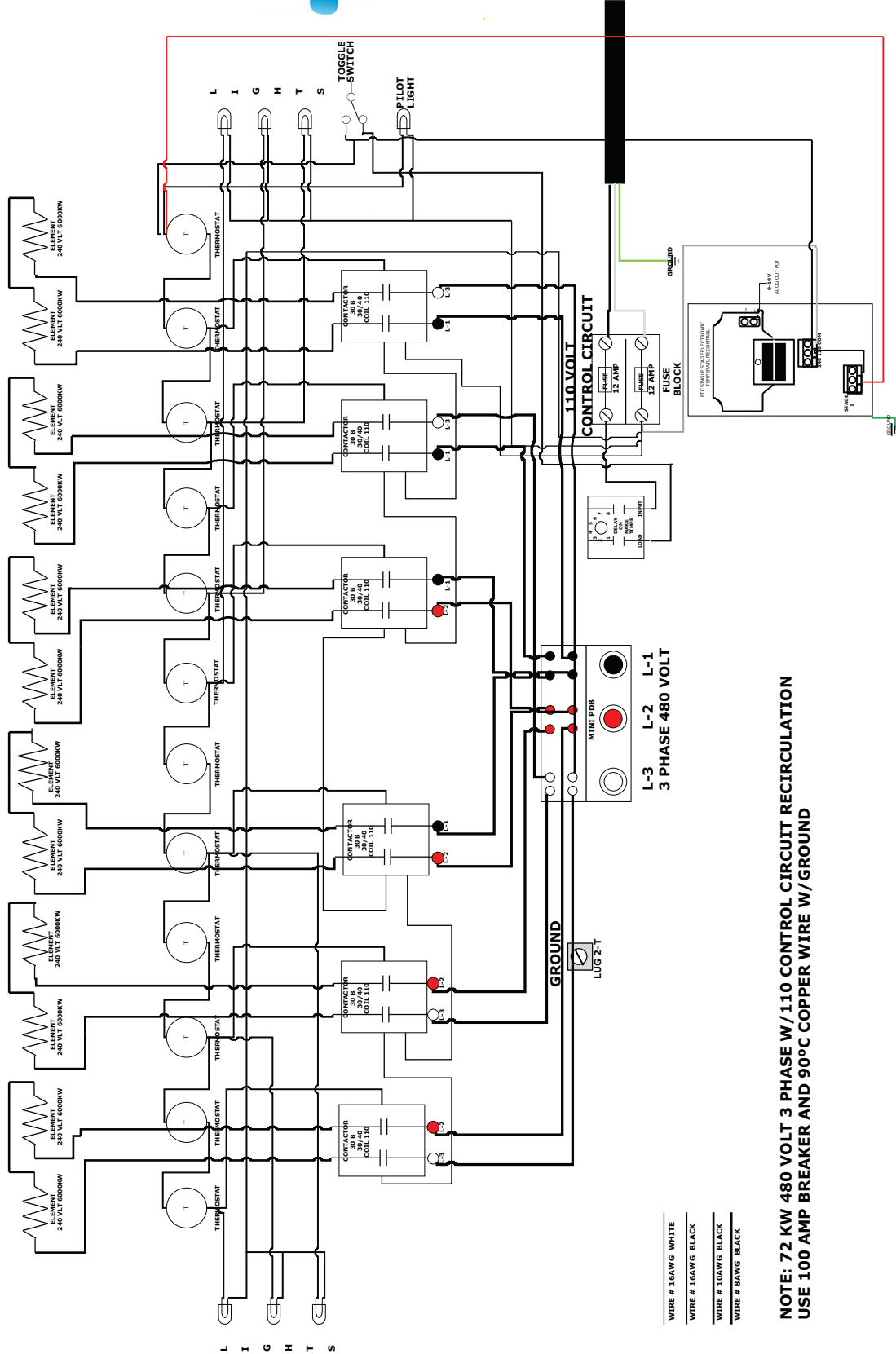
**WIRING DIAGRAM**  
**72 KW 208 VOLT 3 PHASE**



**NOTE: 72 KW 208 VOLT 3 PHASE**  
**USE TWO 100 AMP BREAKER AND 90°C COPPER WIRE W/ GROUND**  
**THIS MODEL IS 96KW ON 240 VOLT 3 PHASE**



**72 KW 480 VOLT 110 CONTROL CIRCUIT RECIRCULATION**



**NOTE: 72 KW 480 VOLT 3 PHASE W/110 CONTROL CIRCUIT RECIRCULATION  
USE 100 AMP BREAKER AND 90°C COPPER WIRE W/GROUND**

- WIRE # 16AWG WHITE
- WIRE # 16AWG BLACK
- WIRE # 10AWG BLACK
- WIRE # 8AWG BLACK