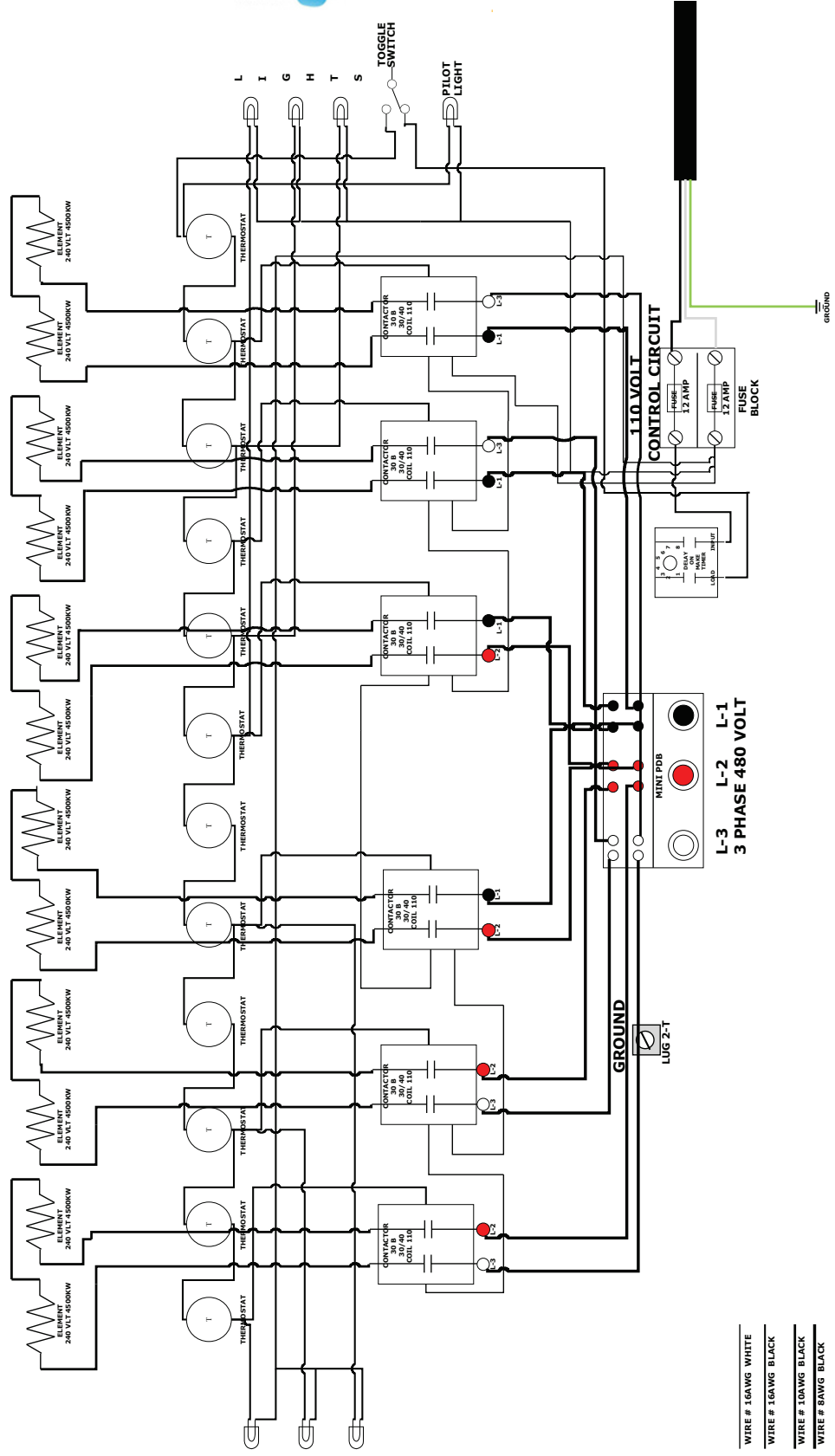




WIRING DIAGRAM 54 KW 480 VOLT 1/10 CONTROL CIRCUIT

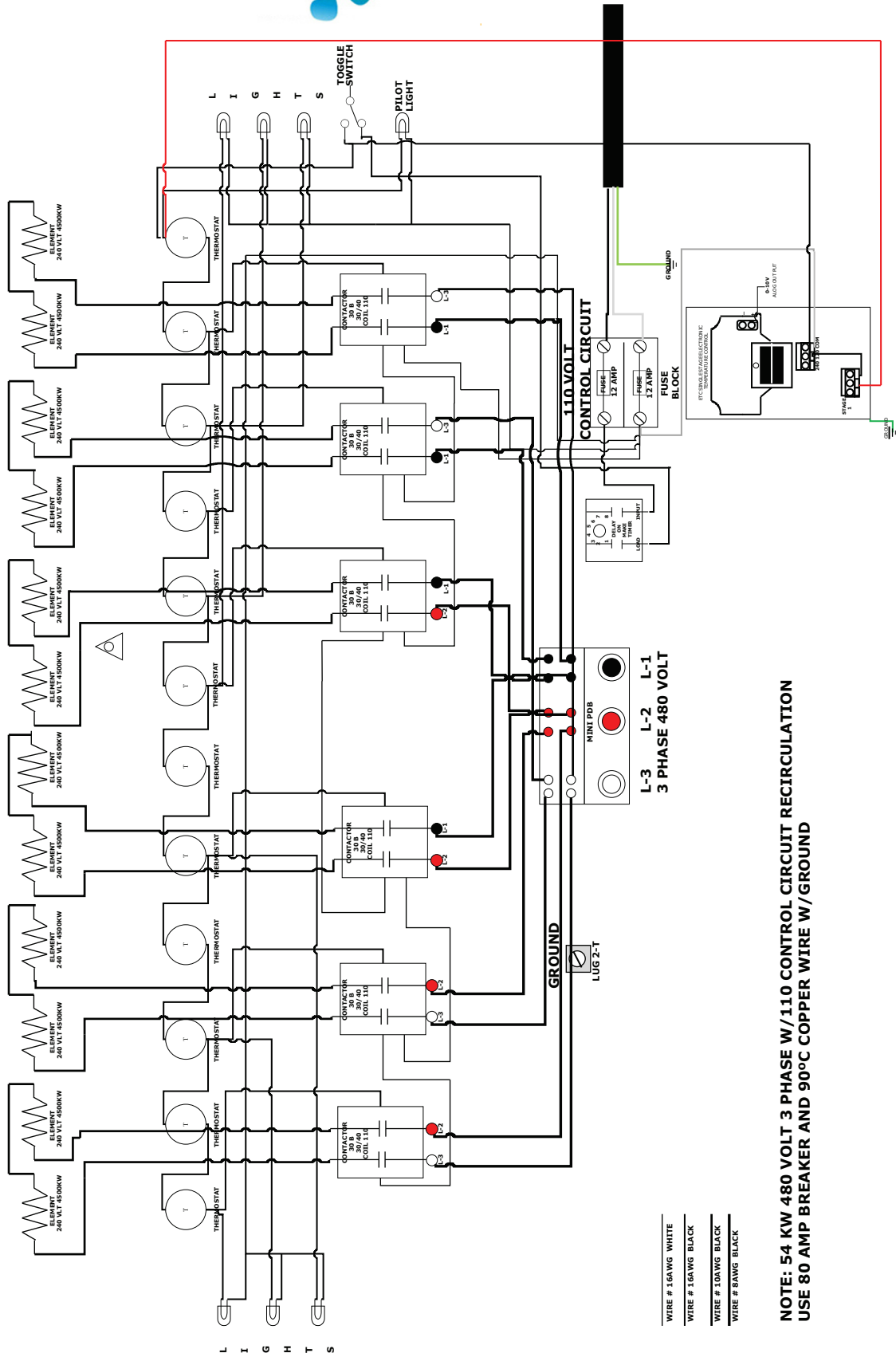


- WIRE # 16AWG WHITE
- WIRE # 16AWG BLACK
- WIRE # 10AWG BLACK
- WIRE # 8AWG BLACK

**NOTE: 54 KW 480 VOLT 3 PHASE W/110 CONTROL CIRCUIT
USE 80 AMP BREAKER AND 90°C COPPER WIRE W/GROUND**



54 KW 480 VOLT 110 CONTROL CIRCUIT RECIRCULATION



- WIRE # 16AWG WHITE
- WIRE # 16AWG BLACK
- WIRE # 10AWG BLACK
- WIRE # 8AWG BLACK

**NOTE: 54 KW 480 VOLT 3 PHASE W/110 CONTROL CIRCUIT RECIRCULATION
USE 80 AMP BREAKER AND 90°C COPPER WIRE W/GROUND**