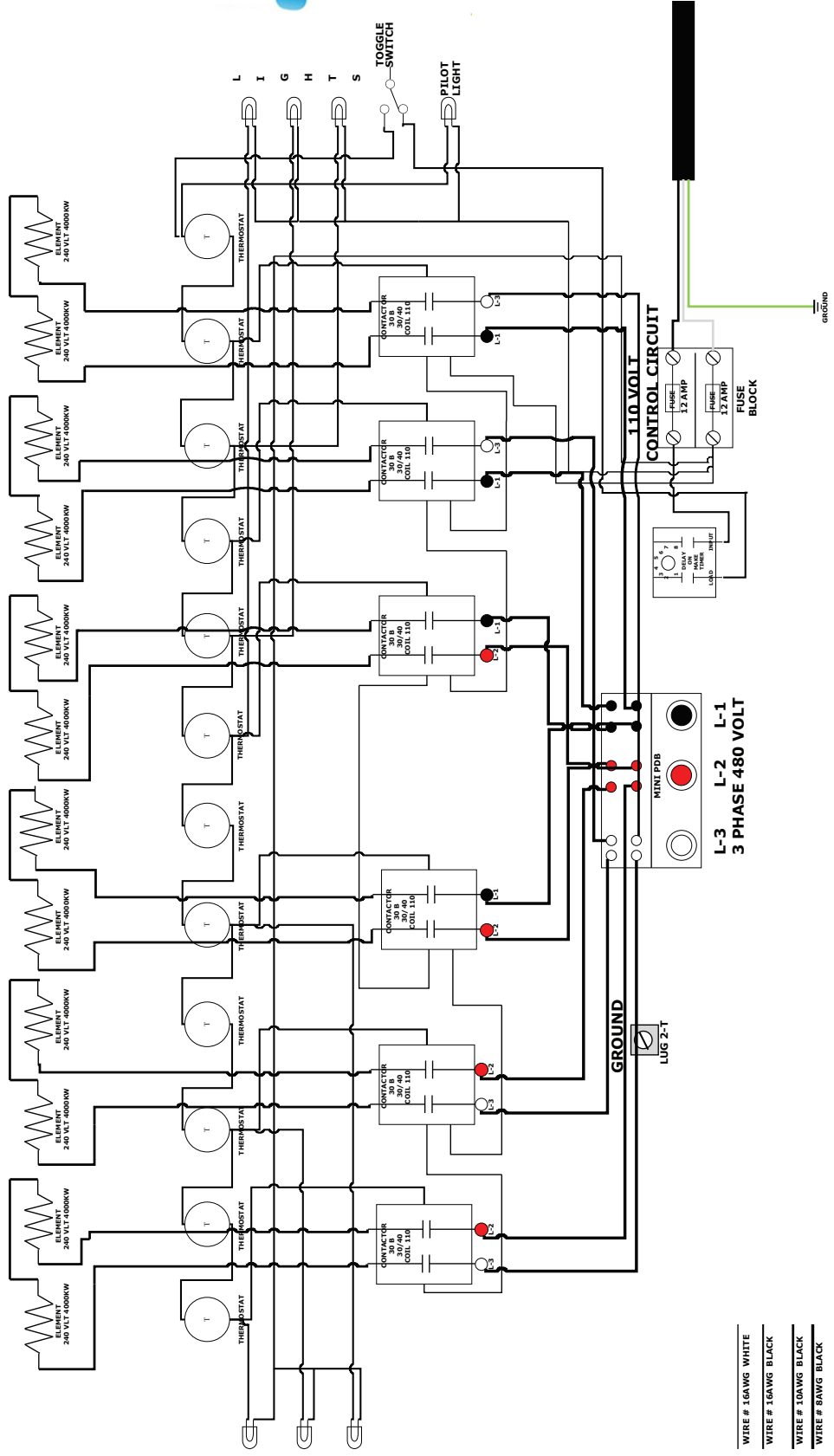




WIRING DIAGRAM
48 KW 480 VOLT 110 CONTROL CIRCUIT

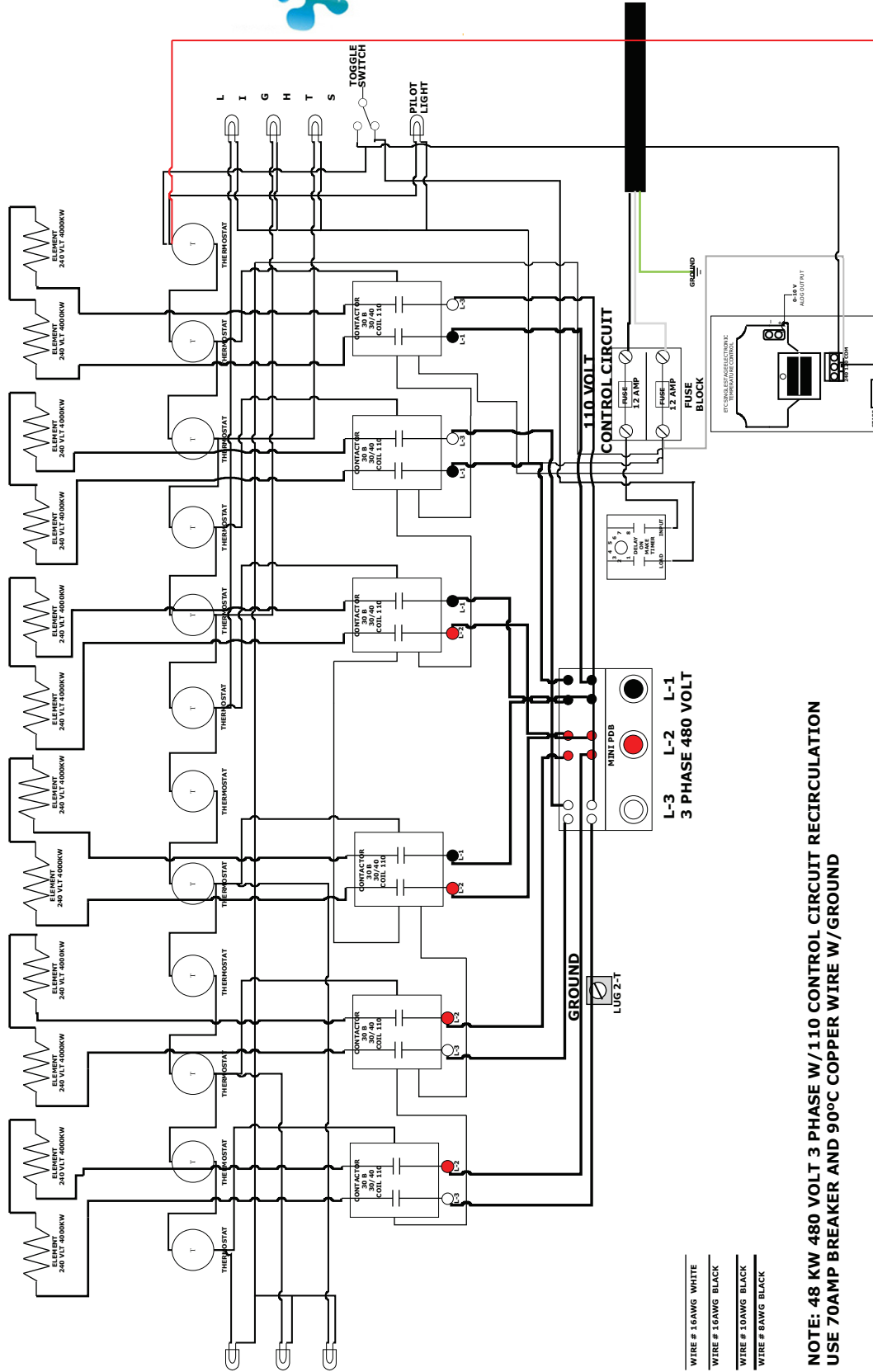


NOTE: 48 KW 480 VOLT 3 PHASE W/110 CONTROL CIRCUIT

- WIRE # 16AWG WHITE
- WIRE # 16AWG BLACK
- WIRE # 10AWG BLACK
- WIRE # 8AWG BLACK



48KW 480 VOLT 110 CONTROL CIRCUIT RECIRCULATION



- WIRE # 16AWG WHITE
- WIRE # 16AWG BLACK
- WIRE # 10AWG BLACK
- WIRE # 8AWG BLACK

**NOTE: 48 KW 480 VOLT 3 PHASE W/110 CONTROL CIRCUIT RECIRCULATION
USE 70AMP BREAKER AND 90°C COPPER WIRE W/GROUND**