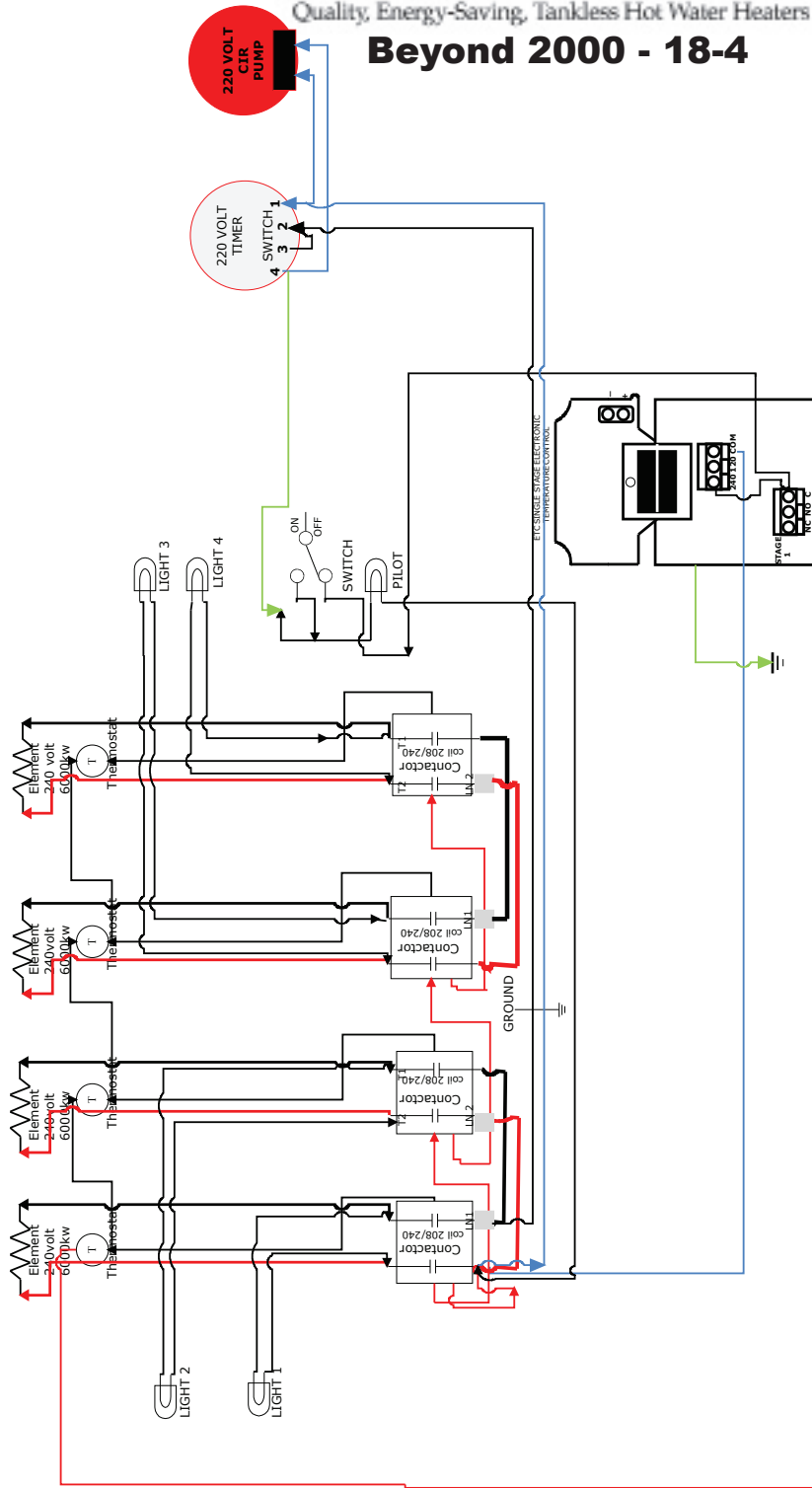


Tankless, Inc.

Quality, Energy-Saving, Tankless Hot Water Heaters

Beyond 2000 - 18-4

ELECTRIC DIAGRAM MODEL BY 2000 24-4



WIRE # 16AWG

WIRE # 10AWG

WIRE # 8AWG

SINGLE LUG-AL DUAL RATED 6T

USE TWO 60 AMP BREAKER AND 90°C COPPER WIRE W/ GROUND