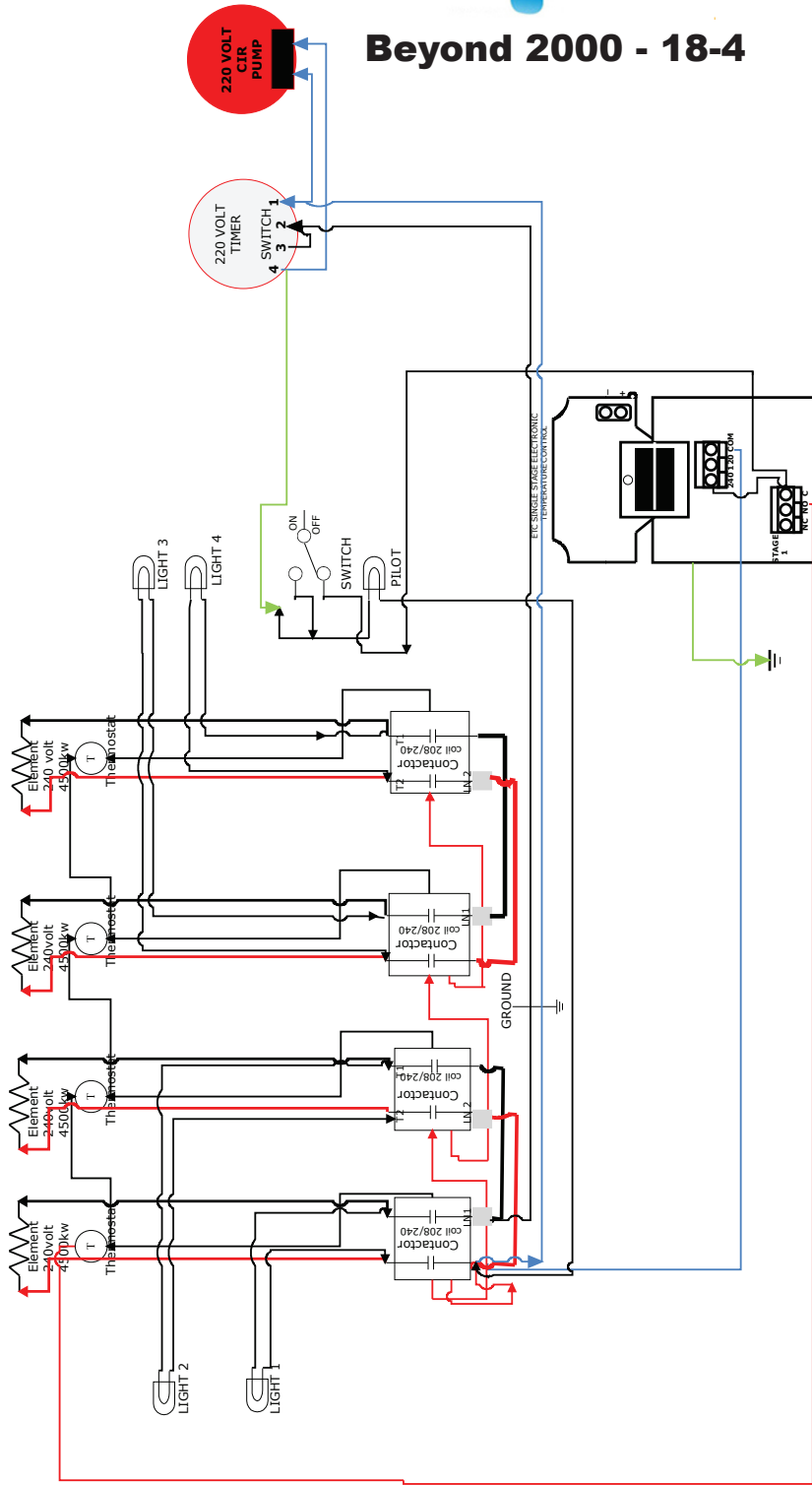




Beyond 2000 - 18-4

ELECTRIC DIAGRAM MODEL BY 2000 18-4



- WIRE # 16AWG
- WIRE # 10AWG
- WIRE # 8AWG

SINGLE LUG-AL DUAL RATED 6T

USE TWO 50 AMP BREAKER AND 90°C COPPER WIRE W/ GROUND